

Model: WLB5SPT-Y

PORTABLE FOLDING WORKLIGHT WITH TRIPOD



SAVE THESE INSTRUCTIONS

READ ALL INSTRUCTIONS

CAUTION: Read all safety and operating instructions in this manual before attempting to use this product. Failure to follow instructions listed below may result in electric shock, fire and/or serious personal injury.



WARNING:

Do not look directly at the lighted lamps to avoid eye injuries.

Always keep the work light away from any flammable surface or materials.

Always check damaged or worn-out parts before using the work light. Broken parts will affect the work light operation. Replace or repair damaged or worn-out parts immediately. If repairs are needed, consult a qualified and professional electrician.

Do not use a pressure washer to clean this product.

Do not modify the work light in any way. Unauthorized modifications may impair the function and/or safety and could affect the life of the product. There are specific applications for which the work light was designed.

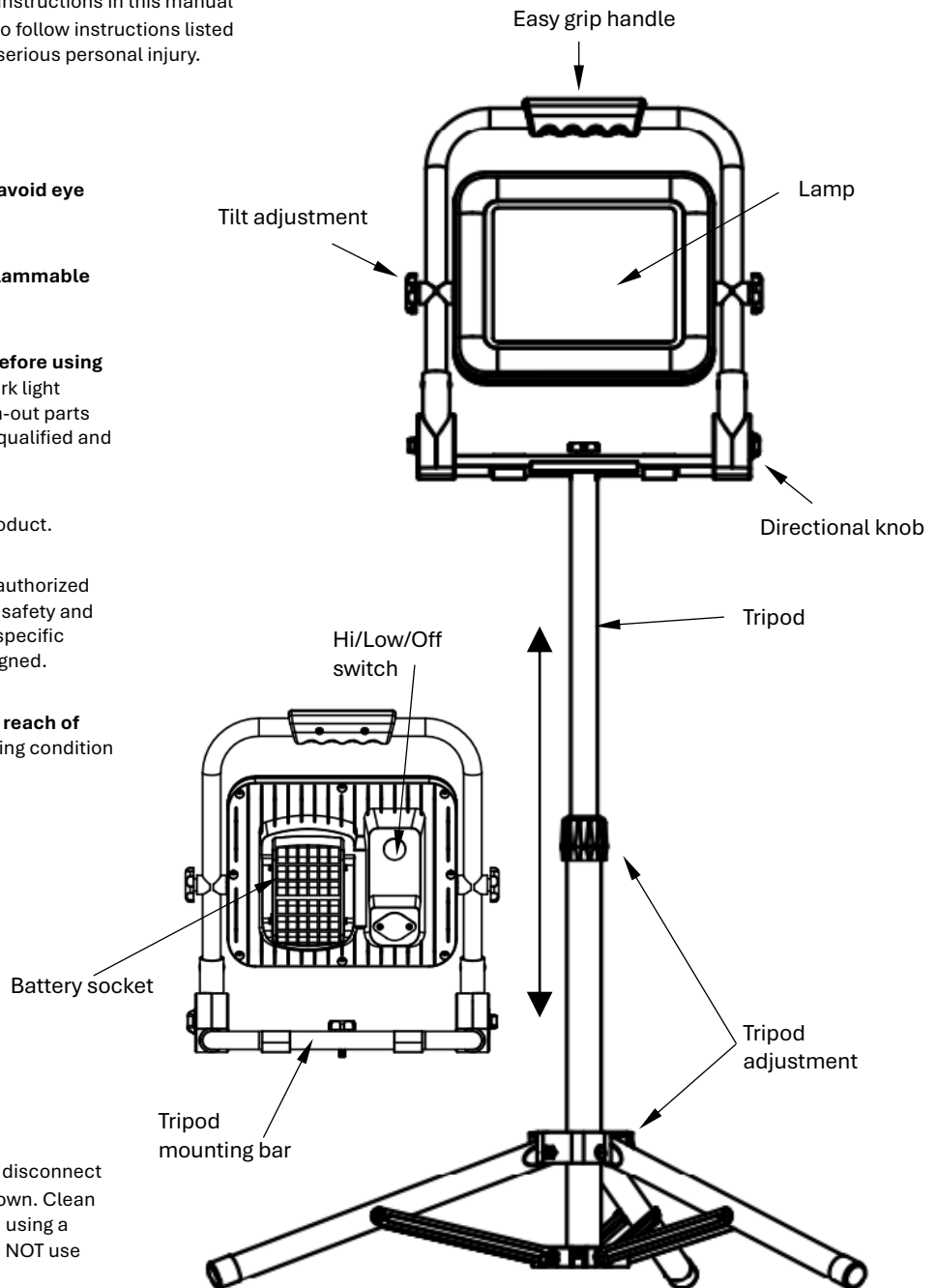
Store work light in a secure place out of the reach of children. Inspect the work light for good working condition prior to storage and before use.



WARNING:

CARE: Before cleaning the LED work light, disconnect from power source, allow the fixture to cool down. Clean with a dry or slightly moist clean lint free cloth using a small amount of mild detergent if needed. **DO NOT** use abrasive or solvent cleaners.

MAINTAINANCE: Check the battery socket and fixture housing for any damage before each use. Clean any dirt or obstruction from the housing and lens before using as this could cause overheating.





RED ROCK LIGHTING

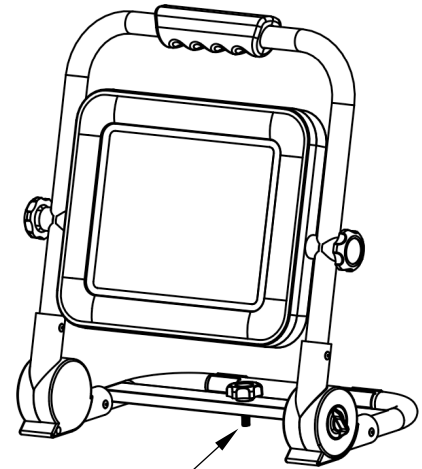
ASSEMBLY INSTRUCTIONS

1) Tripod Setup

The tripod comes folded and requires no assembly. To unfold the tripod, unscrew to loosen the tripod adjustment knob located at the bottom of the tripod where the three legs meet. At the same time move the support legs away from the center tube of the tripod and push down on the center leg connector to extend the three legs. The legs should extend until they are flat. There is a line on the lower part of the tripod tube that indicates where the legs should be locked in place. Retighten tripod adjustment knob. Next, adjust the height of the center pole. To adjust height, loosen the tripod adjustment knob on the tripod and raise the pole sections. Firmly tighten the adjustment knob once you have adjusted the center pole to the desired height.

2) Install lamp head onto tripod

Set the portable light stand with lamp onto the tripod. Align the **tripod threaded knob** on the portable lamp with the center hole of the tripod's threaded socket and tighten. To remove portable stand, unscrew the tripod threaded knob and lift off.



Tripod threaded knob