

Model: WLF2SP

PORTABLE FOLDING WORKLIGHT WITH TRIPOD



SAVE THESE INSTRUCTIONS

READ ALL INSTRUCTIONS

CAUTION: Read all safety and operating instructions in this manual before attempting to use this product. Failure to follow instructions listed below may result in electric shock, fire and/or serious personal injury.

WARNING:

RISK OF ELECTRIC SHOCK

Do not use with an extension cord near water or where water may accumulate. Keep work light at least 16 feet from pools or spas. Keep plugs and receptacles dry. Use only three-wire outdoor extension cords with grounded plugs and grounded receptacles.

Ground fault Circuit Interrupter (GFCI) protection should be provided on circuits or outlets to be used for this light in WET locations. Receptacles are available having built-in GFCI protection and can be used for this measure of safety.

Use only with an extension cord rated for outdoor use, such as an extension cord of cord type: SEW, SEOW, SEOOW, SOW, SOOW, STW, STOW, STOOW, SJEW, SJEOW, SJEOWW, SJW, SJOW, SJOOW, SJTW, SJTOW, OR SJTOOW.

Do not look directly at the lighted lamps to avoid eye injuries.

Always keep the work light away from any flammable surface or materials.

Always check damaged or worn-out parts before using the work light. Broken parts will affect the work light operation. Replace or repair damaged or worn-out parts immediately. If repairs are needed, consult a qualified and professional electrician.

Do not use a pressure washer to clean this product.

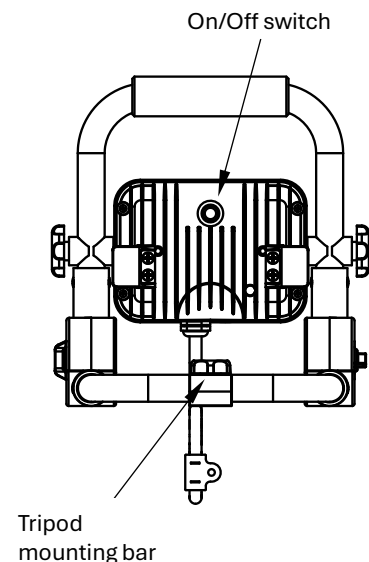
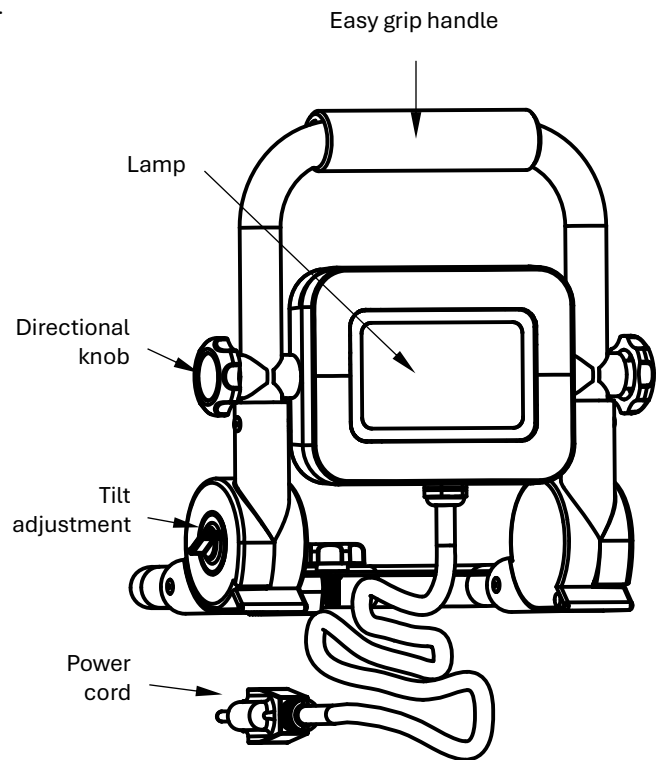
Do not modify the work light in any way. Unauthorized modifications may impair the function and/or safety and could affect the life of the product. There are specific applications for which the work light was designed.

Store work light in a secure place out of the reach of children. Inspect the work light for good working condition prior to storage and before use.

WARNING:

CARE: Before cleaning the LED work light, disconnect from power source, allow the fixture to cool down. Clean with a dry or slightly moist clean lint free cloth using a small amount of mild detergent if needed. **DO NOT** use abrasive or solvent cleaners.

MAINTAINANCE: Check the plug, cord, and fixture housing for any damage before each use. Clean any dirt or obstruction from the housing and lens before using as this could cause overheating.





RED ROCK LIGHTING

ASSEMBLY INSTRUCTIONS

1) Tripod Setup (WLF2SPT version only)

The tripod comes folded and requires no assembly. To unfold the tripod, unscrew to loosen the tripod adjustment knob located at the bottom of the tripod where the three legs meet. At the same time move the support legs away from the center tube of the tripod and push down on the center leg connector to extend the three legs. The legs should extend until they are flat. There is a line on the lower part of the tripod tube that indicates where the legs should be locked in place. Retighten tripod adjustment knob. Next, adjust the height of the center pole. To adjust height, loosen the tripod adjustment knob on the tripod and raise the pole sections. Firmly tighten the adjustment knob once you have adjusted the center pole to the desired height.

2) Install lamp head onto tripod (WLF2SPT version only)

Set the portable light stand with lamp onto the tripod. Align the **tripod threaded knob** on the portable lamp with the center hole of the tripod's threaded socket and tighten. To remove portable stand, unscrew the tripod threaded knob and lift off.

WORKLIGHT OPERATION

Your portable work light comes with a 6-ft. power supply cord with a 3-prong grounded plug. **DO NOT** attempt to plug the work light into a non-grounded outlet or non-grounded extension cord.

- **DO NOT** remove the ground prong or otherwise try to alter the plug. If the provided plug will not fit the outlet receptacle, have the proper outlet receptacle installed by a qualified electrician. Improper connection of the grounding conductor can result in electrical shock and death.

- **DO NOT** abuse the power supply cord. Never carry the work light by the power supply cord or pull the cord to disconnect the plug from the outlet receptacle. Keep cord away from heat, oil and sharp edges.



WARNING:

Improper connection of the grounding conductor can result in electrical shock and death.

- **DO NOT** abuse the power supply cord. Never carry the work light by the power supply cord or pull the cord to disconnect the plug from the outlet receptacle. Keep cord away from heat, oil and sharp edges.

